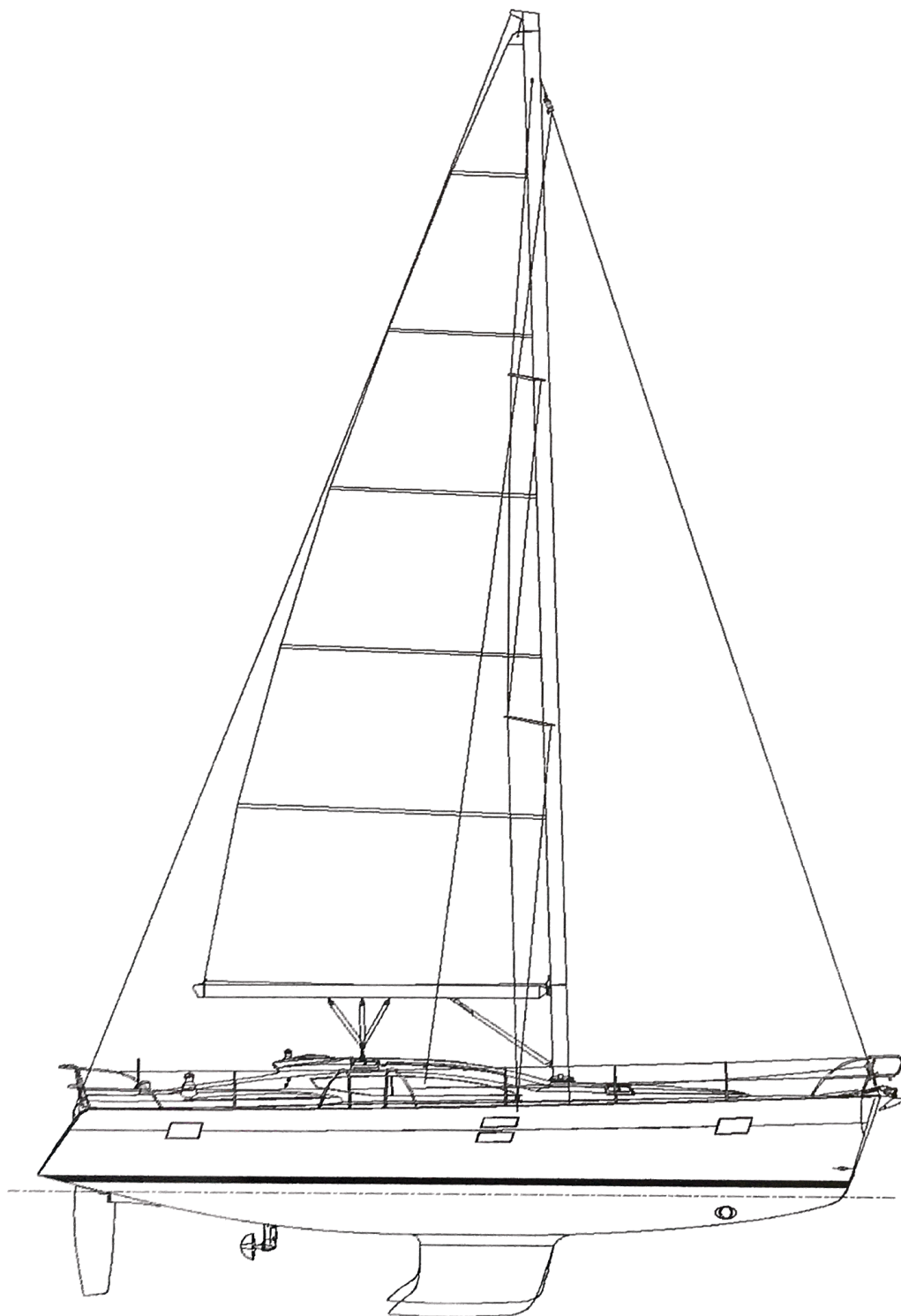


IMPRESSION  
YACHTS

i45

# OWNER'S MANUAL



CIN: SI-ELA 45051E616

## 4. TECHNICAL SPECIFICATIONS

### 4.1. TECHNICAL DATA

Boat Type	Impression 45 by Elan
Boat Class	Sailboat
Boat Design Category	A "Ocean"
CIN	SI-ELA45_-----
Manufactured by	ELAN, d.o.o. Begunje 1, 4275 Begunje na Gorenjskem, Slovenia
Certification	EC Type Examination Module B+C
Certificate No.	92102-1
Notified body	DNV GL SE P.O.B. 11 16 06 DE-20416 Hamburg, Germany
Hull length	13,00 m
Length at waterline	11,44 m
Beam max.	4,18 m
Draft	1,90 m / opt. 1,60 m
Air draft (incl. 1 m antenna)	19,29 m
Light craft mass (m <sub>LCC</sub> )	10419 kg
Persons + luggage	1500 kg
Manufacturer's recommended load (m <sub>MTL</sub> )	3298 kg
Loaded displacement max. (m <sub>LDC</sub> )	13717 kg
Ballast	3310 kg / 3460 kg
Engine power max.	55 hp / opt. 75 hp
Fuel capacity	270 litres
Water capacity	516 litres / opt. 788 litres
Holding tank (optional)	100 litres
Gas bottles (propane/butane)	2 kg
Maximum crew	11 persons
Cabins (version 1)	4
Berths (version 1)	8 + 2
Mainsail	45,80 m <sup>2</sup>
Genoa	49,50 m <sup>2</sup>
Spinnaker	127,00 m <sup>2</sup>
I	15,90 m
J	4,78 m
P	14,80 m
E	5,37 m
Design	Humphreys Yacht Design & Elan design team

**5.4. PROFILE**

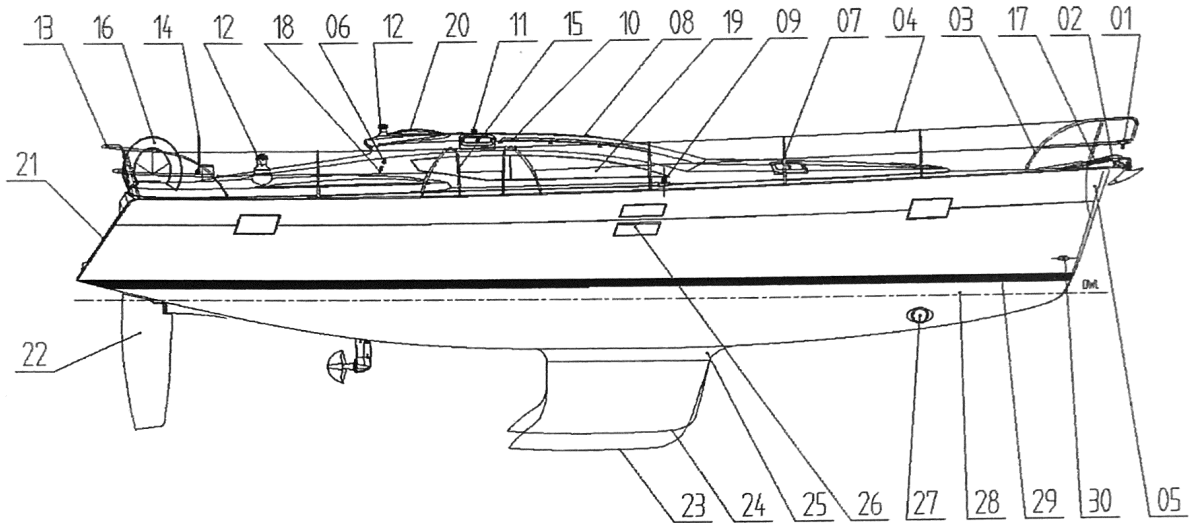


Figure 6

- |                         |                            |
|-------------------------|----------------------------|
| 1. Bow navigation light | 16. Horseshoe lifebuoy     |
| 2. Bow fitting          | 17. Anchor                 |
| 3. Pulpit               | 18. Genoa sheet sheave     |
| 4. Life lines           | 19. Fixed portlight        |
| 5. Bow protection       | 20. Handle                 |
| 6. Cam cleat            | 21. Swimming platform      |
| 7. Stanchion            | 22. Rudder blade           |
| 8. Hatch                | 23. Standard keel          |
| 9. Chainplates          | 24. Shallow keel           |
| 10. Grabrails           | 25. Keel sump              |
| 11. Mainsheet traveler  | 26. Hull fixed portlight   |
| 12. Winch               | 27. Bow thruster           |
| 13. Pushpit             | 28. Antifouling striping   |
| 14. Steering wheel      | 29. Boot stripe            |
| 15. Sidewalk passage    | 30. Anchor locker drainage |

## 6. PROPULSION SYSTEMS

### 6.1. SAILS AND MAST

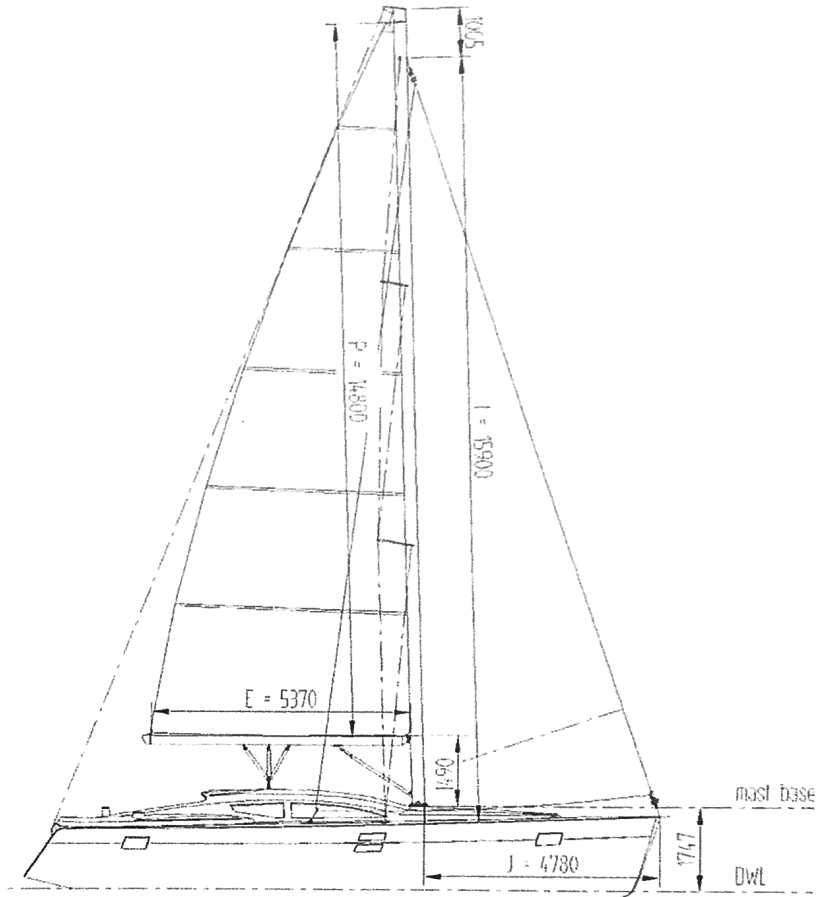
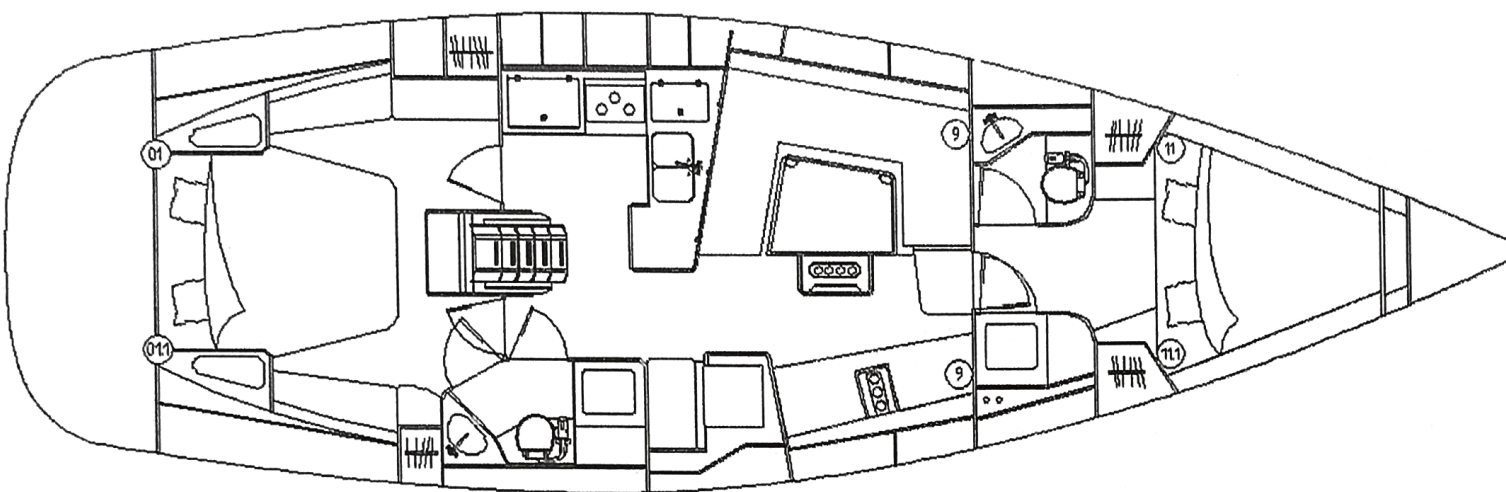



Figure 7



- 01-AFT CABIN -READING LIGHT (OPTIONAL)
- 01.1-AFT CABIN -READING LIGHT
- 09-SALON-READING LIGHT (OPTIONAL)
- 11-FRONT CABIN-READING LIGHT
- 11.1-FRONT CABIN-READING LIGHT(OPTIONAL)

	Datum Date	Ime Name	Podpis Signature	Rišba je last podjetja. Neavtorizirana uporaba je prepovedana. Kopije te rišbe niso kontrolirane.  The content is our copyright property, unauthorized use is not permitted. Copies of this drawing are uncontrolled	 www.elan-marine.com
Izdajal Made by	30-03-10	Uras AMDN			
Pregledal Checked					
Odobrili Approved					
Naslov rišbe Title IMPRESSION 444 ELECTRICAL SYSTEMS READING LIGHTS LOCATION				Merilo: X:X Teža: Weight:	ELAN SKUPINA d.o.o. Nautical division Regula 1 475 Regula in dir. Slovaca
Nova rišba.st.: New drwg. No.: 1444-19022-01.dwg		Nova koda: New code: 1444-19022		Nova ver.: 01 New ver.: 01	Datum: Date:
Stara rišba.st.: Old drwg. No.:		Stara koda: Old code:		Stara ver.: Old ver.:	Datum: Date:
					Stran: Sheet: 1 of 1
					Format: Size: A3